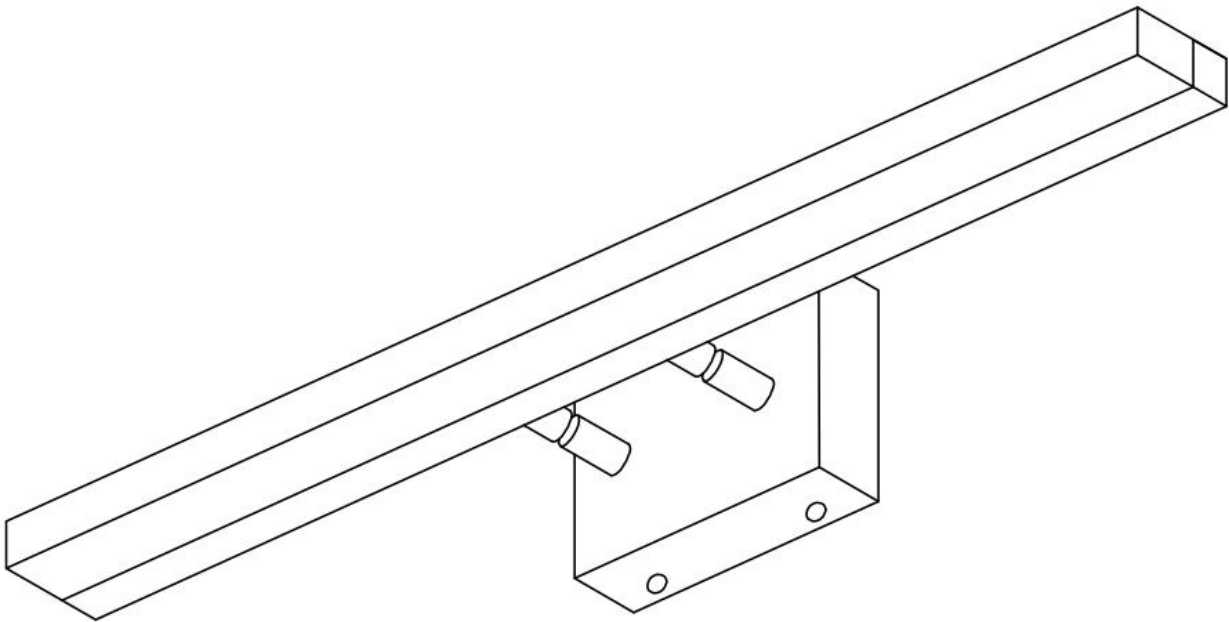


User Manual



Model: HDVL-48A1

Size : 1220*120*150 mm



Email: hmlcd_service@outlook.com

Start from Here

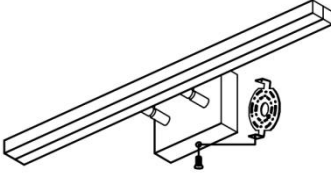



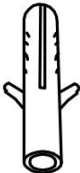
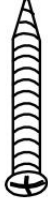
- Make sure POWER is COMPLETELY OFF at the fuse box .
- Have your fixture installed by a qualified licensed electrician.
- Prepare everything in a clear area.
- Wear gloves at all time during this installation.
- Read instructions carefully before you start assembly.
- Keep this installation sheet for future reference.
- When you open the package with sharp tools, be careful not to damage the accessories inside.

Please Note

- This LED fixtures come with pre-wired LED module.
- Unless instructed, Do Not touch any part of the LED module as any unnecessary contact with the module could cause permanent damage
- The lighting fixtures is dimmable when using the compatible dimmer switch. (Switch is not included)
- Do not plug in the product if the cord is broken or frayed.
- Do not over-tighten screws and bolts as this may damage the threads.
- Do not use abrasive cleaners, clean with a soft cloth and mild detergent.
- Do not insert the product if the wire is cracked or frayed.
- Do not let children play with this product, keep away from children.

PACKAGE INCLUDED

Before you begin, make sure the package contains the following components!

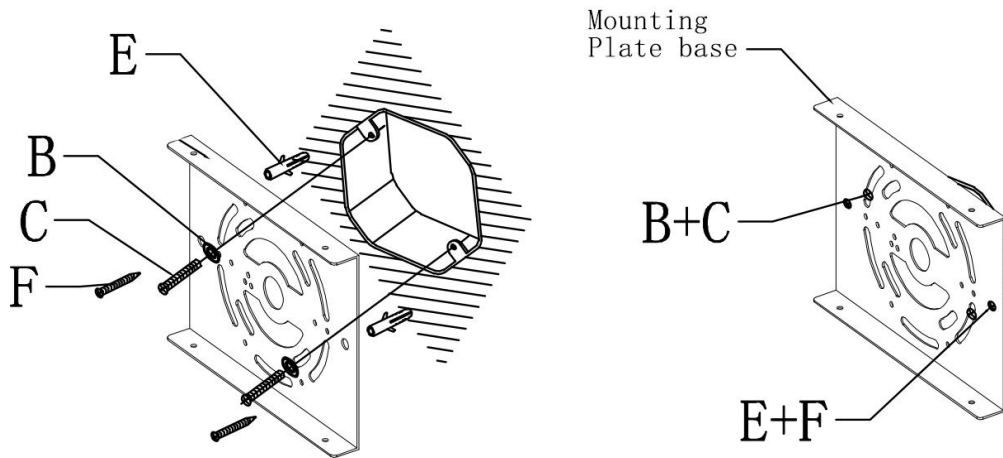
 <p>Fixture Body</p>	<p>A: X1</p>	 <p>Washers</p>	<p>B: X2</p>
 <p>Screw</p>	<p>C: X2</p>	 <p>Wire Nuts</p>	<p>D: X3</p>
 <p>Expansion Rubber</p>	<p>E: X2</p>	 <p>Pointed Screw (for Expansion Rubber)</p>	<p>F: X2</p>

1. Dimmer Switch is not included.
2. Some parts will be sent 1-2 pieces more than required for installation to prevent parts from being lost or damaged.

Parameter

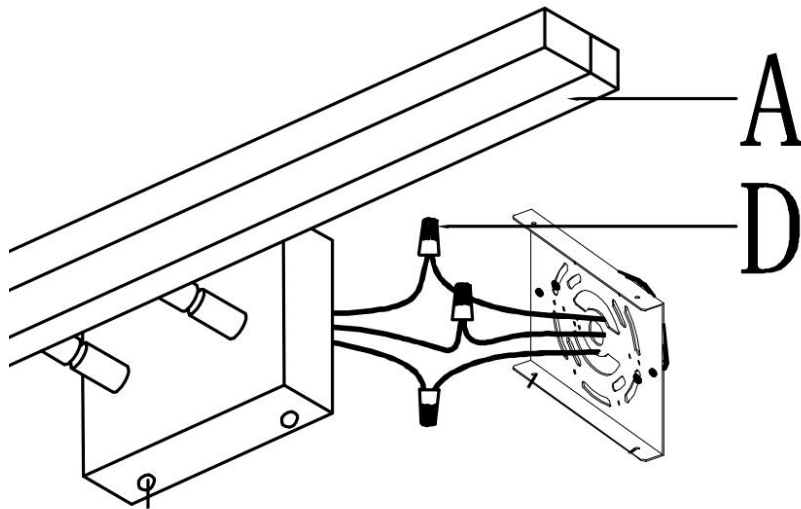
Voltage [V]	Frequency [Hz]	Power [W]	Color Temp [K]
120V	50/60	45	5000

Installation Guide



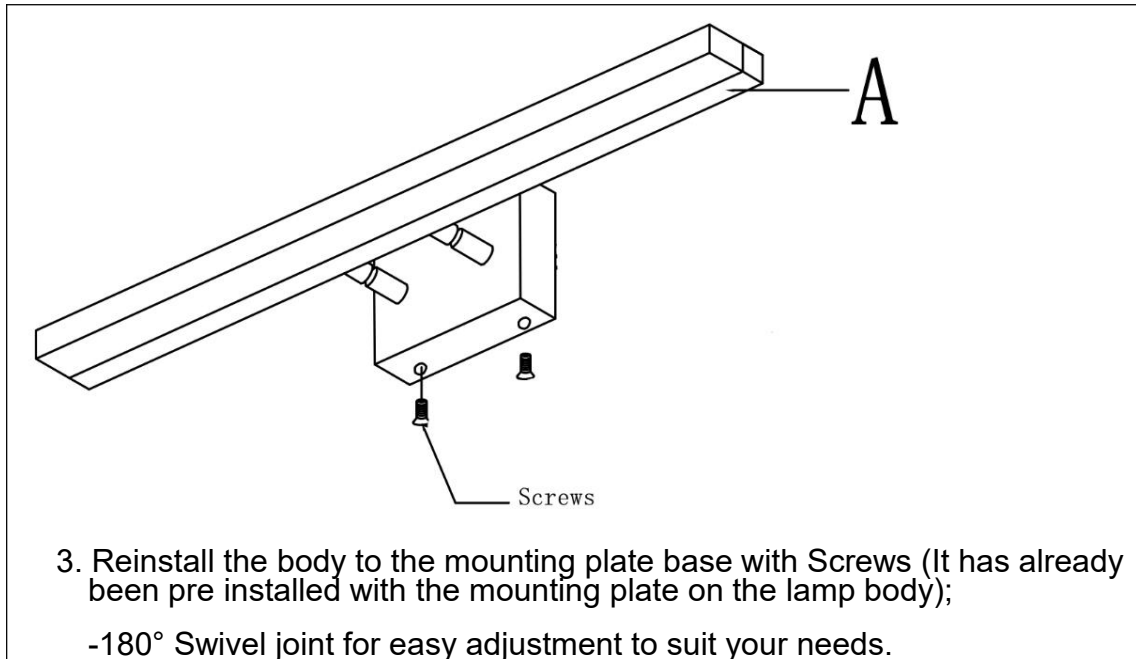
1. Attach Mounting plate base to electrical junction box using Screws(B) & Washers (C) provided in hardware package.

If you want, Use an electric drill to drill 2 holes, which is just smaller than the diameter of the Expansion Rubber(E), then push it in and attach the Pointed Screw (F);



2. Make proper electrical connections with P3 nuts (D):

- Black wire to hot "L", White wire to neutral "N";
- Bare Copper wire to "Ground";



3. Reinstall the body to the mounting plate base with Screws (It has already been pre installed with the mounting plate on the lamp body);

-180° Swivel joint for easy adjustment to suit your needs.