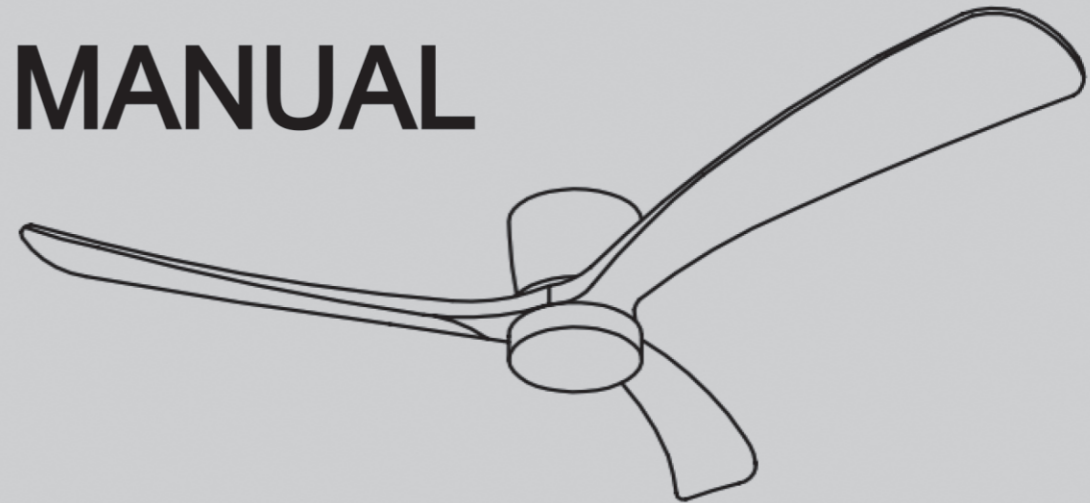



CEILING FAN

USER MANUAL



CONTACT INFORMATION

We want to hear your voice! Feel free to touch base if you encounter any issue when using our product(s) or want to know more about our brand. We will be more than happy to provide top-notch pre-sales & after-sales service 24/7.

 support@humhold.com



SAFETY INFORMATION	01
PRE-INSTALLATION	03
TROUBLESHOOTING	05
INSTALLATION INSTRUCTION	14
SPECIFICATIONS	15
OPERATION INSTRUCTION	16

SAFETY INFORMATION

Please read all safety information and instructions before installing the ceiling fan and save this manual for future reference.



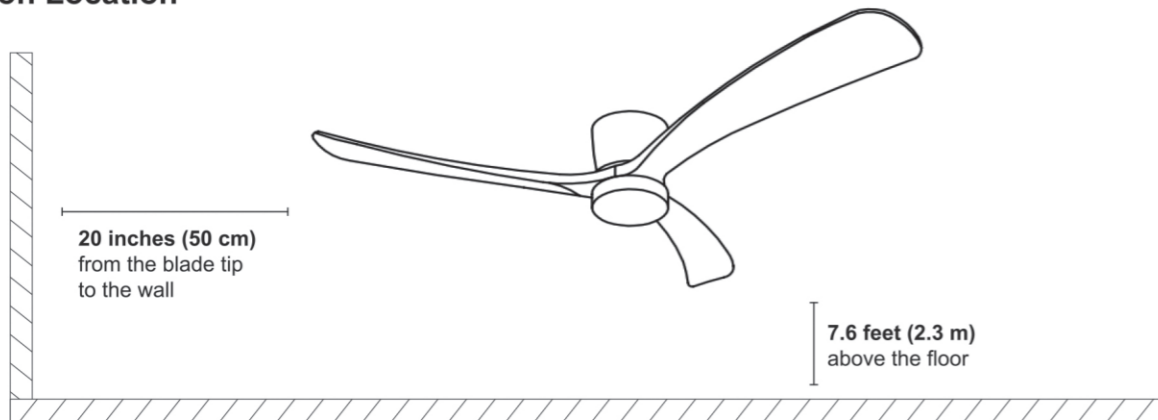
SAFETY INFORMATION



WARNING

- Before connecting the power supply, make sure that the power supply used matches the specifications of the ceiling fan.
- All wiring must comply with national and local electrical codes ANSI/NFPA70. If you are not familiar with wiring, please use a qualified electrician.
- To reduce the risk of fire or electric shock, turn off the power to the fuse box or circuit breaker before installing the fan.
- To reduce the risk of personal injury, attach the fan directly to the building's support structure and ensure that it can accept at least 35 pounds (15.9 kg).
- Make sure that the installation location allows the fan blades to rotate without obstacles.

Installation Location



WARNING

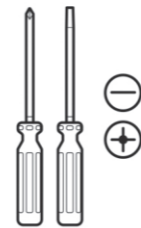
- Do not install the fan with wet hands.
- Do not insert foreign objects between the rotating fan blades.
- Do not bend the fan blades when installing or cleaning the fan.
- Do not disassemble or modify this product or use non-original parts without permission.
- Keep children away from your working area.
- Properly dispose of the fan's packaging material.
- Make sure the ceiling fan is firmly secure to the ceiling. Double check all connections before you restore power.
- Turn off the fan and wait for the blades to stop completely before performing any maintenance or cleaning.

PRE-INSTALLATION

Tools Required (Not Included)



Power Drill



Screwdriver



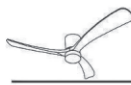
Step Ladder



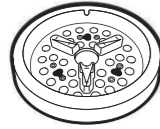
Wire Stripper



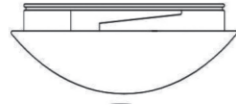
Electrical Tape



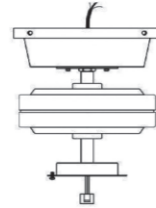
Parts List



LED Board X 1



Light Cover X 1



Motor X 1



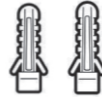
Fan Blade X 3



Balance Kit X 2



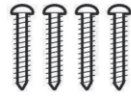
Blade Screw Gasket X 7



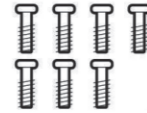
Connection Port X 2



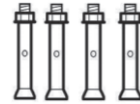
Wire Caps Screw Terminal X 3



Self-tapping Screw X 4



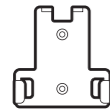
Blade Screw X 7



Expansion Bolt X 4



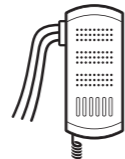
Remote Bracket Screw X 2



Remote Control Bracket X 1



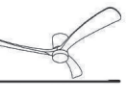
Remote Control X 1



Receiver X 1



Motor Cover X 1



TROUBLESHOOTING

If there is a problem with the fan during use, please check the following tips for solutions. If the problem still cannot be solved, please contact our after-sales team.

The Fan Does Not Respond to the Remote Control.

- Check that all wire connections are correct and secure.
- Verify that the power is turned on and reaching the receiver.
- Verify that the batteries of the remote control are installed with the correct polarity, making sure to install the + (positive) end of the batteries on the solid end and the - (negative) end on the spring.

The Fan Makes a Repetitive Ticking Noise.

- Check for obstructions in the rotor path.
- Make sure mounting hardware at the ceiling is firmly fastened.
- Make sure all other hardware and blade attachments are tight.
- Give the fan a "Break in Period" of a few hours to a few days, then repeat the steps above.

The Fan Makes a Humming Noise.

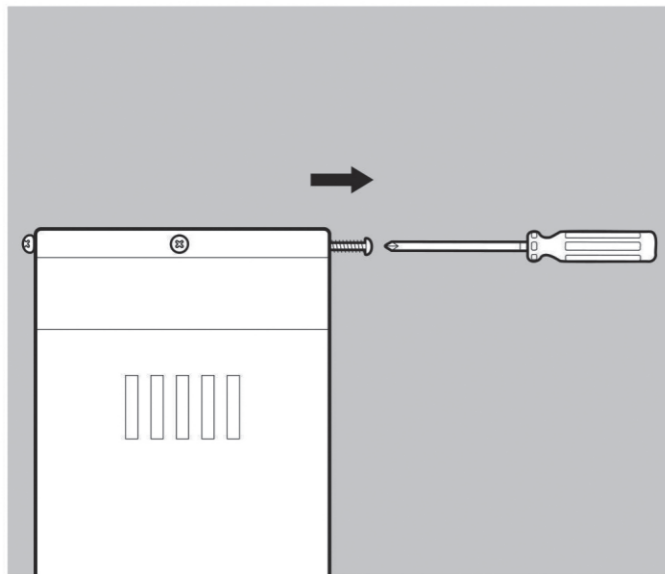
- Make sure the controls you use are supplied with your fan.
- Make sure all accessories are securely fastened. Loose parts often cause a vibrating noise or buzzing sound.
- Disassemble the fan and reinstalling it can sometimes remedy this resonant vibrating noise.

The Fan Wobbles.

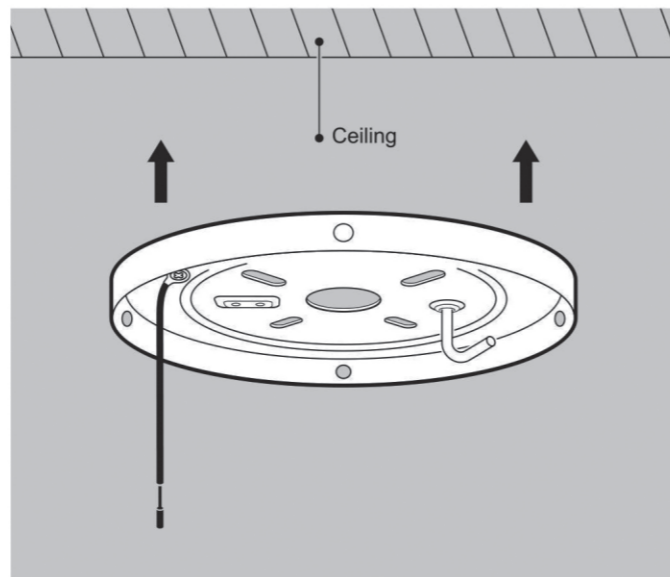
- Make sure the mounting plate and hardware at the ceiling are firmly fastened.
- Make sure all screw fittings on the fan are tight.
- If necessary, use the self-tapping screws provided to further secure the bracket to the joist.



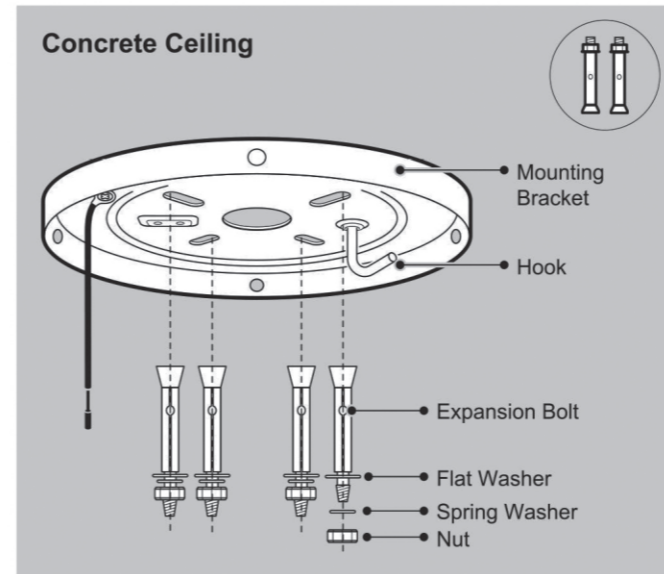
Step 1 : Mounting Bracket Installation



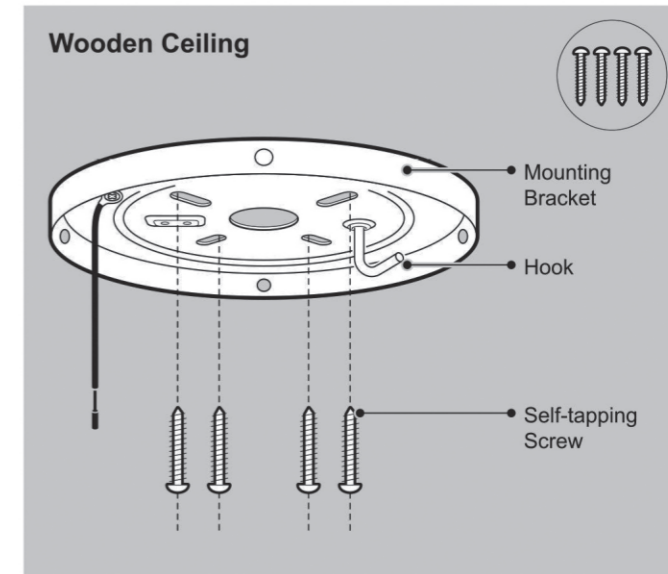
1 Disassemble the screws on the mounting bracket.



2 Install the mounting bracket onto the ceiling.



1. Drill holes with electric drill ($\phi 8$ mm).
2. Use expansion screws to fix the mounting bracket to the ceiling.

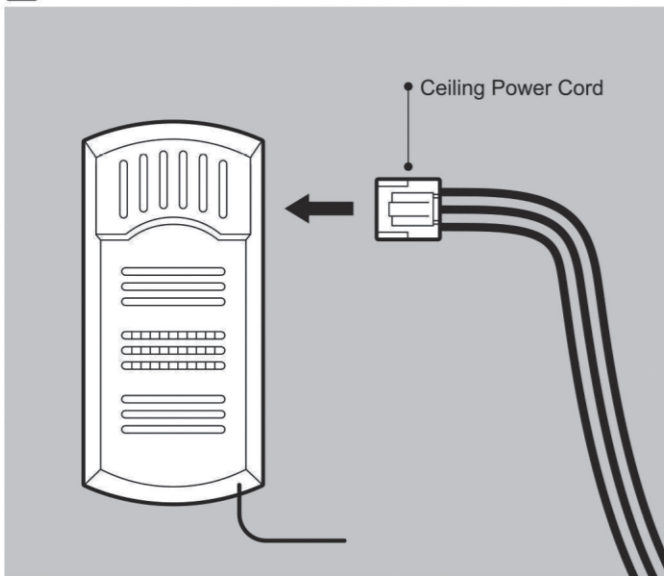


Fasten the mounting bracket to the ceiling with self-tapping screws.

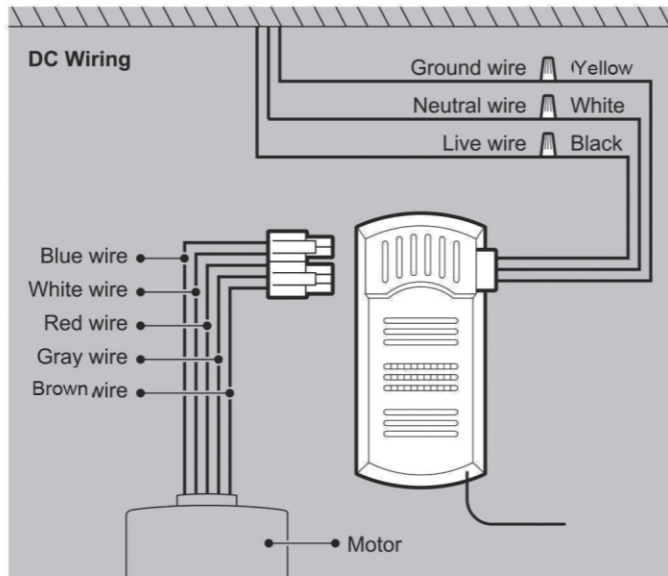


Step 2: Wiring Instruction

⚠ Shut off the power to the fuse box or circuit breaker before wiring.



1 Connect the ceiling power cord to the receiver.



2 The receiver is connected to the motor power cord and the ceiling power cord respectively.

Note:

Connect the wires color to color, plug to plug.



Live Wire



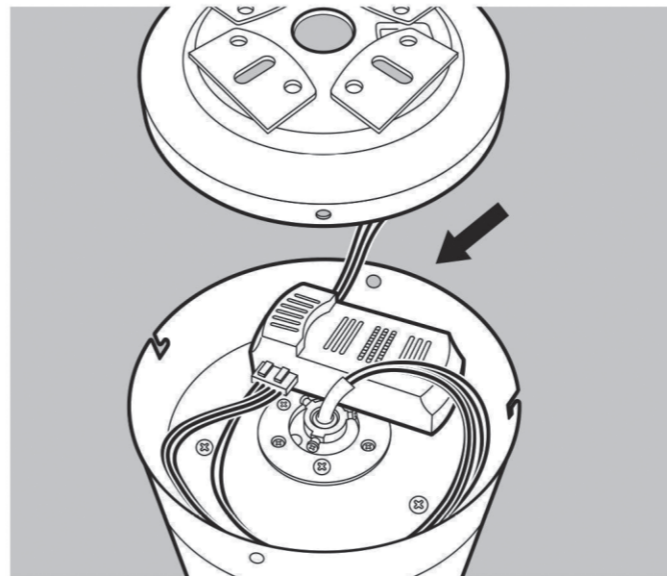
Neutral Wire



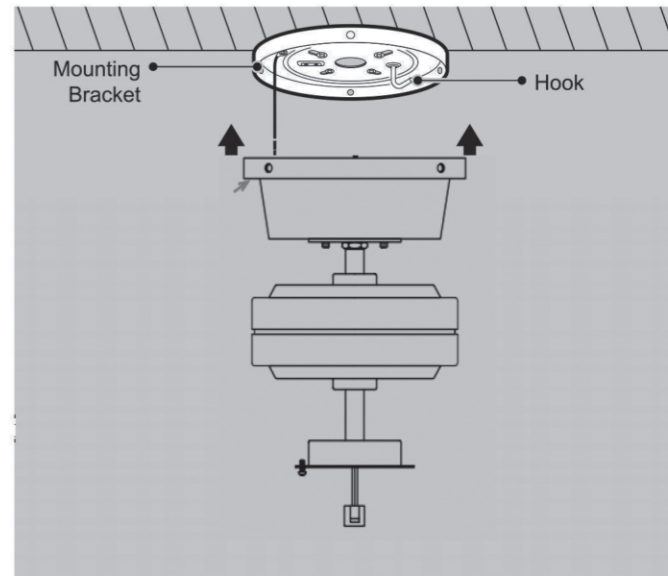
Ground Wire



Step 3: Installation of the Assembled Fan



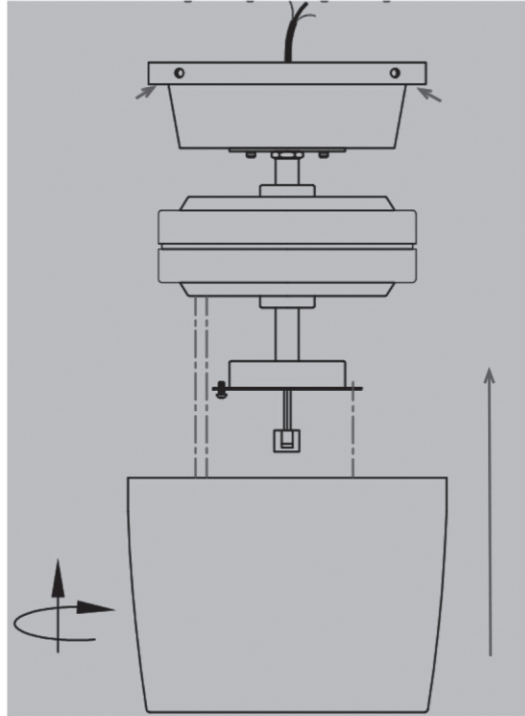
1 Place receiver on top of motor.



2 Align the motor with the hanger, Tighten the screws on the mounting bracket.



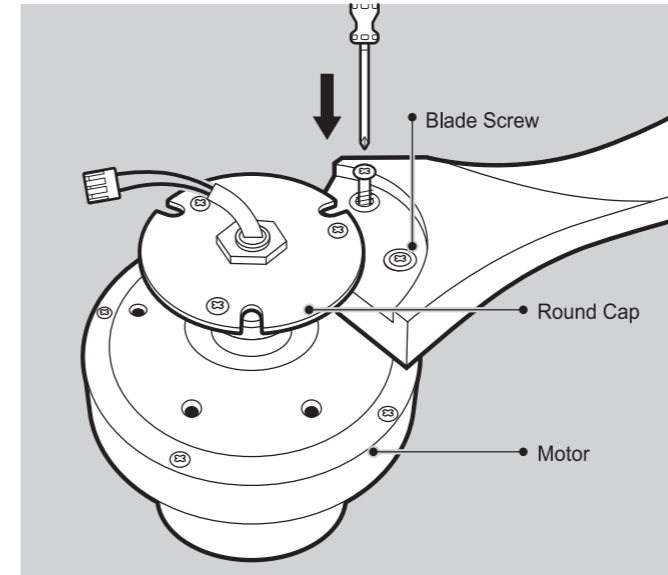
Step 4: Install the Motor Cover



Put the motor cover into the motor, align the motor with the 4 bayonet positions and rotate.



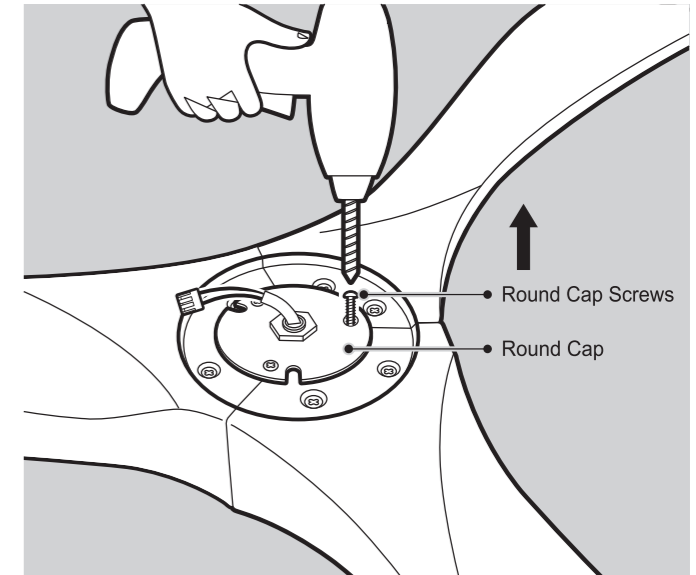
Step 5: Fan Blade Installation



- 1 Fix the ceiling fan blade, align it with the center hole, and tighten the screws on the ceiling fan blade.

Note:

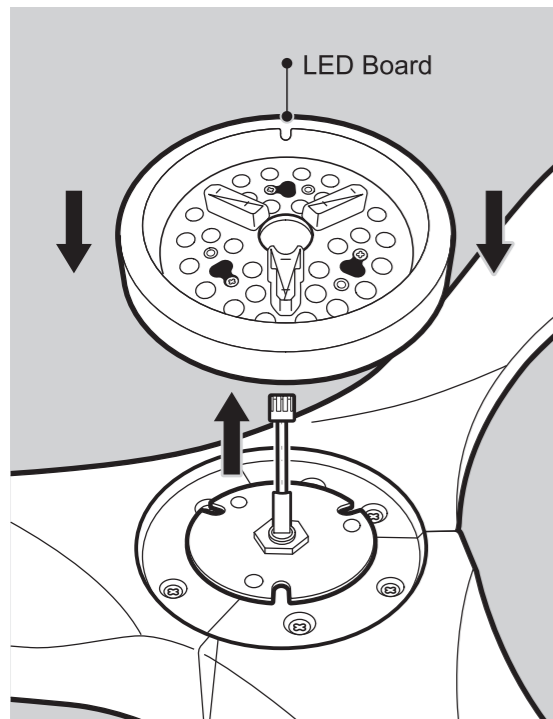
- The number labels (1, 2, 3) on the motor and the blades need to correspond one by one.
- Do not lock the screws when installing the blades and then tighten all the screws after all the fan blades are installed



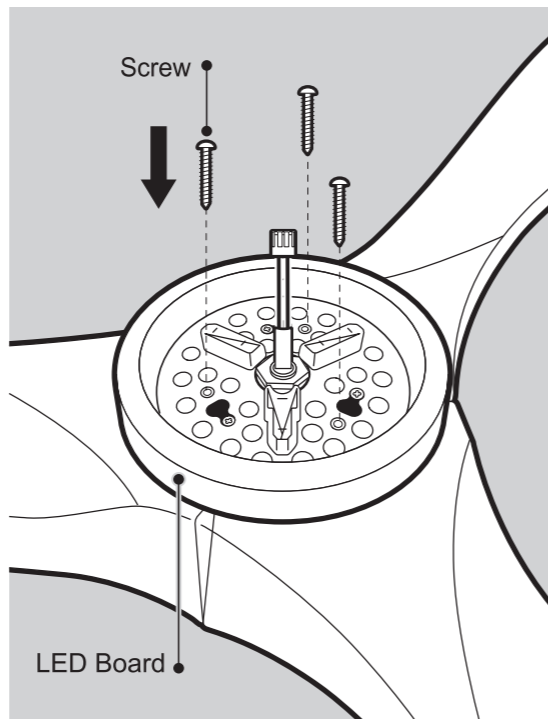
- 2 Loosen the screws on the round cover of the motor.



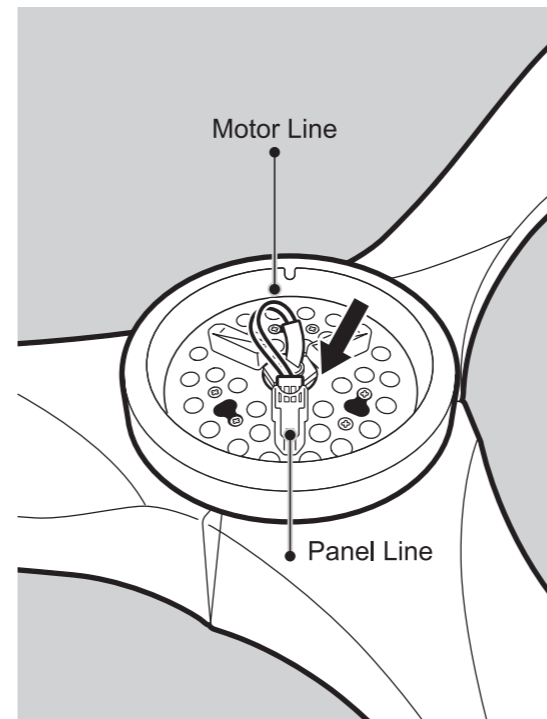
Step 6: Installation of LED Board



- 3 Thread the motor line through the LED board, then align the LED board with the triangular cover on the motor and put it on.



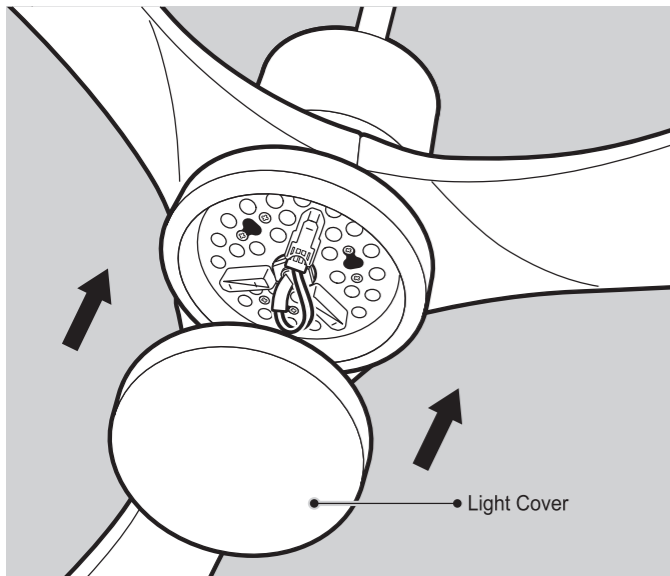
- 4 Install the screws on the triangular cover into the corresponding holes.



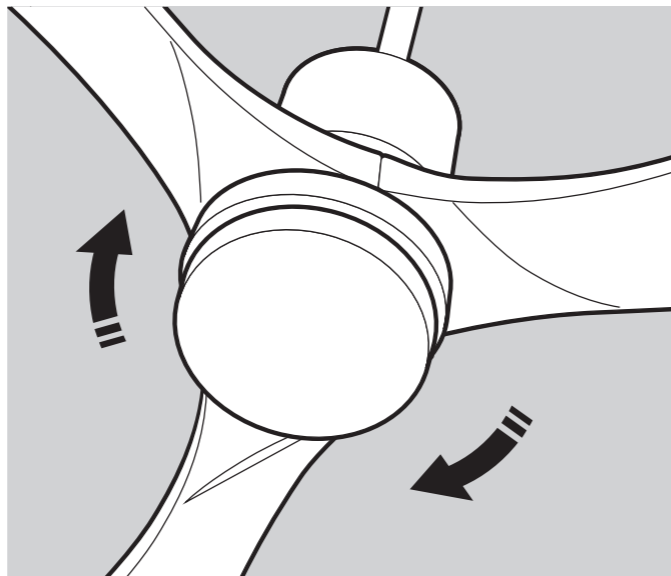
- 5 Connect the motor line and the lamp panel line.



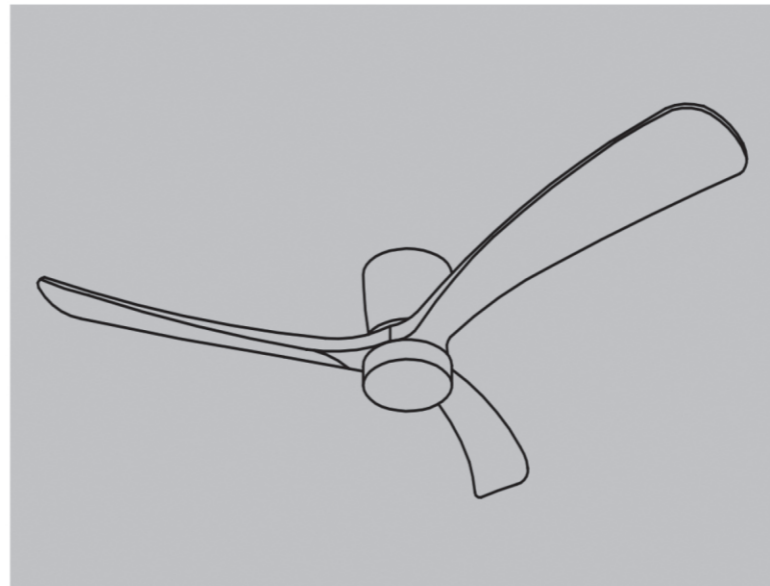
Step 7: Install the Lampshade



1 Put the light cover to the LED board.



2 Tighten the light cover clockwise.



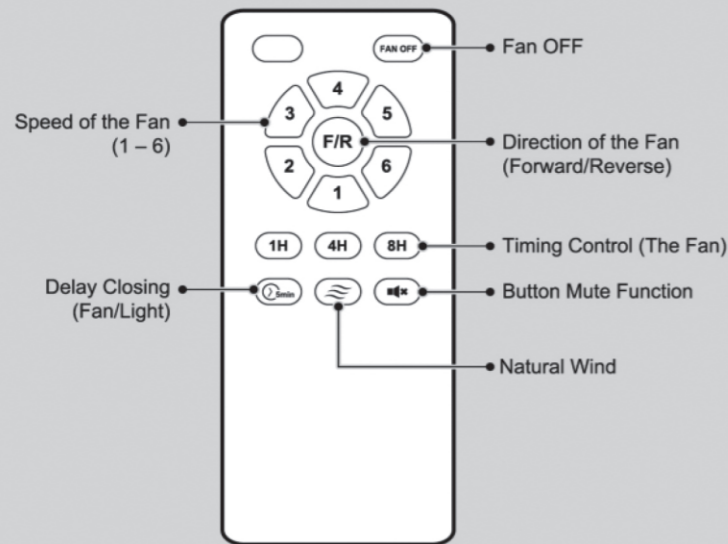
The complete ceiling fan on the ceiling. You can enjoy now.



OPERATION INSTRUCTION

Control Method

Remote Control



Code Matching of Remote Controller:

1. Turn off the power for 5 seconds.
2. Turn on the power, and press **LIGHT ON/OFF** + **FAN OFF** buttons immediately.
3. When hearing 2 sounds like "didi", you can free your hands.

LIGHT ON/OFF Memory Function:

Select the color temperature to be memorized, and turn off the light for more than 15s. The next time you turn on the light, it will be the color temperature the last time you turned it off.

5min 5 Mins Delay Closing:

When pressing the delay button, the light and the fan will close after 5 mins. It can help you walk out of the dark environment. It is usually used for night.

Mute Button Mute Function:

Remove the beeping sound when clicking the button on the remote.

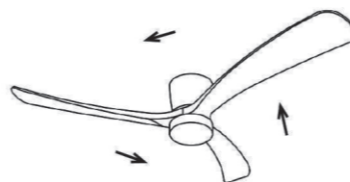


SPECIFICATIONS

Note:

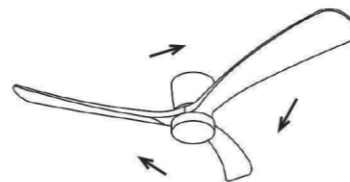
Sensing Distance: 33 ft - 49 ft (10 m - 15 m).

Reversible Function



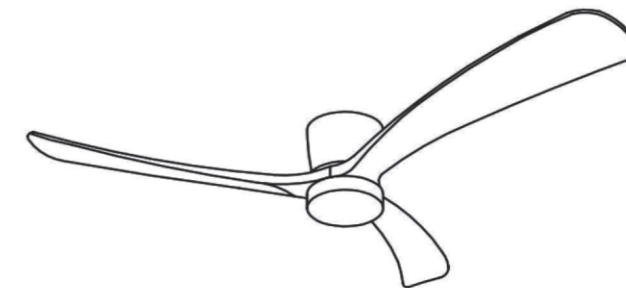
Summer (Forward):

A downward airflow creates a cooling effect.



Winter (Reverse):

An upward airflow increases the indoor temperature.



PS: If you want to change the fan's rotation direction, please press the button while the fan is running.

Timing Control

- 1H: The fan will automatically shut off after 1 hour.
- 4H: The fan will automatically shut off after 4 hours.
- 8h: The fan will automatically shut off after 8 hours.

Close the Timing Control: Press the button **FAN ON/OFF**

Product Name	60 inch Ceiling Fan
Rated Voltage	100-120 V
Motor Power	34W
Control Method	Remote Control
Lamp Configuration	15W bi-color LED
Lampshade Cize	φ190 mm
Fan Blade	3 Solid Wood Fan Blades
Motor Spec	153*15CM
Material	Iron + Solid Wood
Light Source	120V