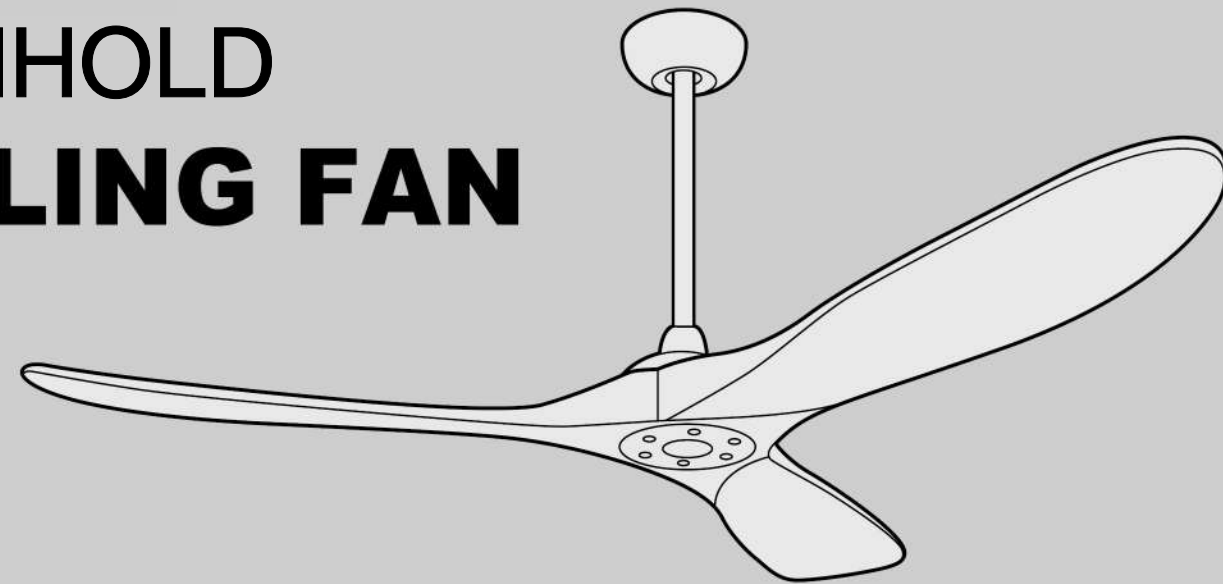


# HUMHOLD CEILING FAN



## CONTACT INFORMATION

We want to hear your voice! Feel free to touch base if you encounter any issue when using our product(s) or want to know more about our brand. We will be more than happy to provide top-notch pre-sales & after-sales service 24/7.

Email: [support@humhold.com](mailto:support@humhold.com)



<b>SAFETY INFORMATION</b>	<b>01</b>
<b>PRE-INSTALLATION</b>	<b>03</b>
<b>INSTALLATION INSTRUCTION</b>	<b>05</b>
<b>OPERATION INSTRUCTION</b>	<b>10</b>
<b>SPECIFICATIONS</b>	<b>11</b>
<b>TROUBLESHOOTING</b>	<b>12</b>

# **SAFETY INFORMATION**

Please read all safety information and instructions before installing the ceiling fan and save this manual for future reference.



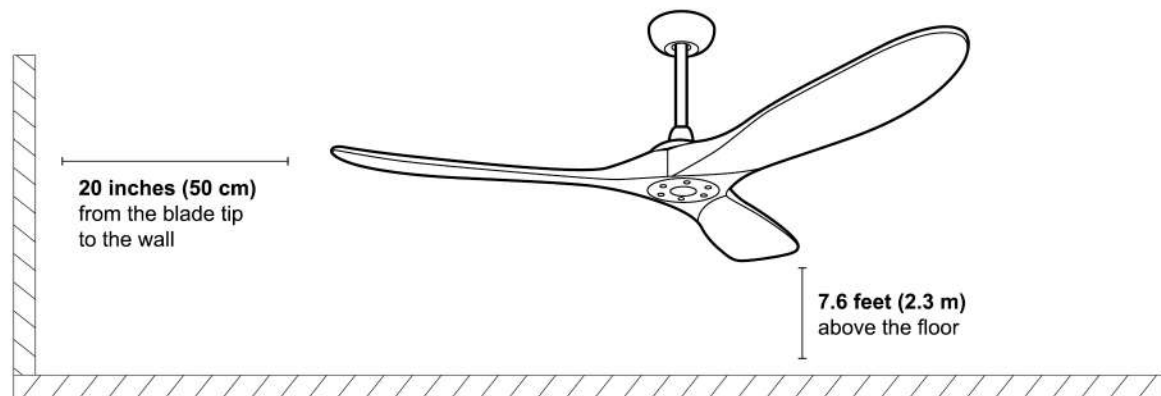
## SAFETY INFORMATION



### WARNING

- Before connecting the power supply, make sure that the power supply used matches the specifications of the ceiling fan.
- All wiring must comply with national and local electrical codes ANSI/NFPA70. If you are not familiar with wiring, please use a qualified electrician.
- To reduce the risk of fire or electric shock, turn off the power to the fuse box or circuit breaker before installing the fan.
- To reduce the risk of personal injury, attach the fan directly to the building's support structure and ensure that it can accept at least 35 pounds (15.9 kg).
- Make sure that the installation location allows the fan blades to rotate without obstacles.

### Installation Location



### WARNING

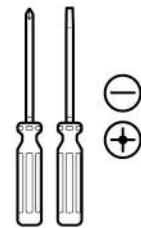
- Do not install the fan with wet hands.
- Do not insert foreign objects between the rotating fan blades.
- Do not bend the fan blades when installing or cleaning the fan.
- Do not disassemble or modify this product or use non-original parts without permission.
- Keep children away from your working area.
- Properly dispose of the fan's packaging material.
- Make sure the ceiling fan is firmly secure to the ceiling. Double check all connections before you restore power.
- Turn off the fan and wait for the blades to stop completely before performing any maintenance or cleaning.

## PRE-INSTALLATION

### Tools Required (Not Included)



Power Drill



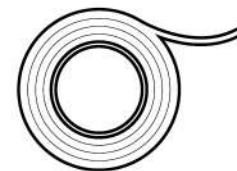
Screwdriver



Step Ladder



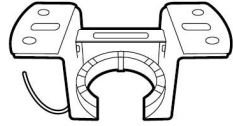
Wire Stripper



Electrical Tape



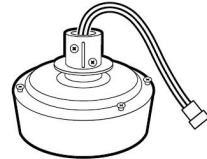
# Parts List



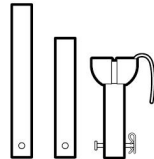
Mounting Bracket x 1



Canopy x 1



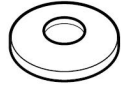
Motor x 1



Downrods x 3 (5"/10"/20")



Coupling Cover x 1



Canopy Cover x 1



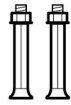
Blade Fixing Plate x 1



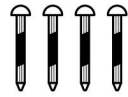
Motor Cover x 1



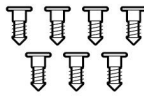
Fan Blades x 3



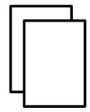
Expansion Bolts x 2



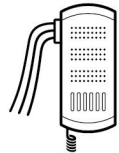
Self-tapping Screws x 4



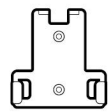
Blade Screws x 7



Balance Kits x 2



Receiver x 1



Remote control bracke x 1

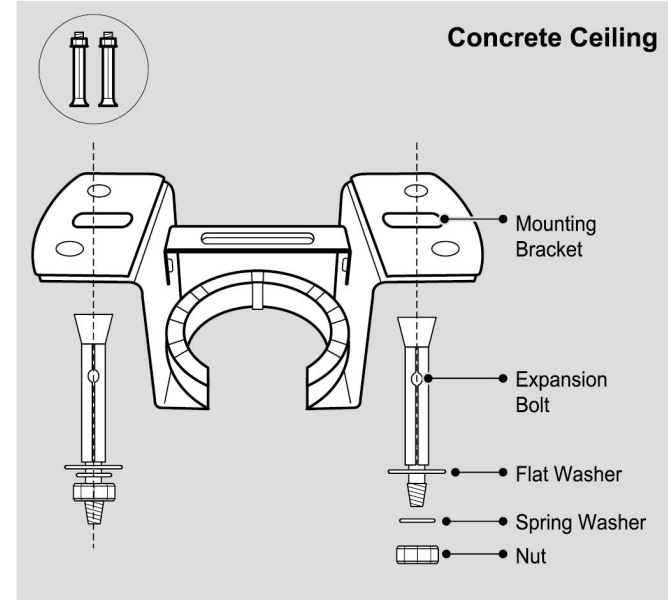


Remote Control x 1

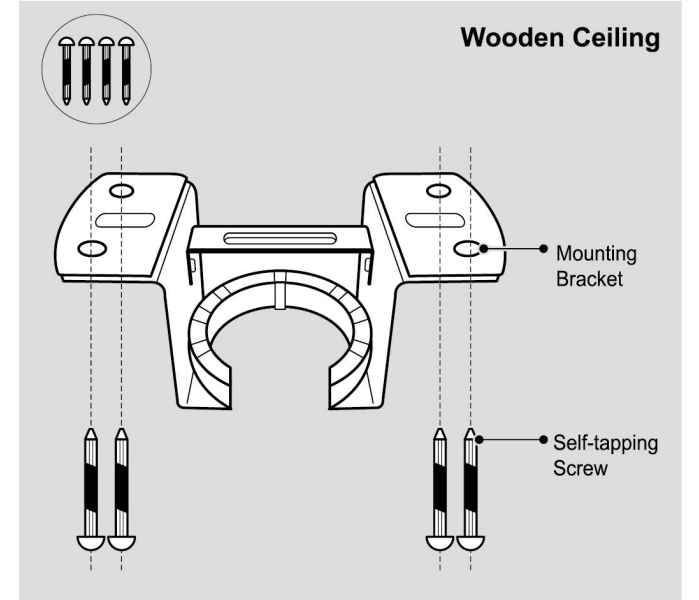


# INSTALLATION INSTRUCTION

## Step 1: Mounting Bracket Installation



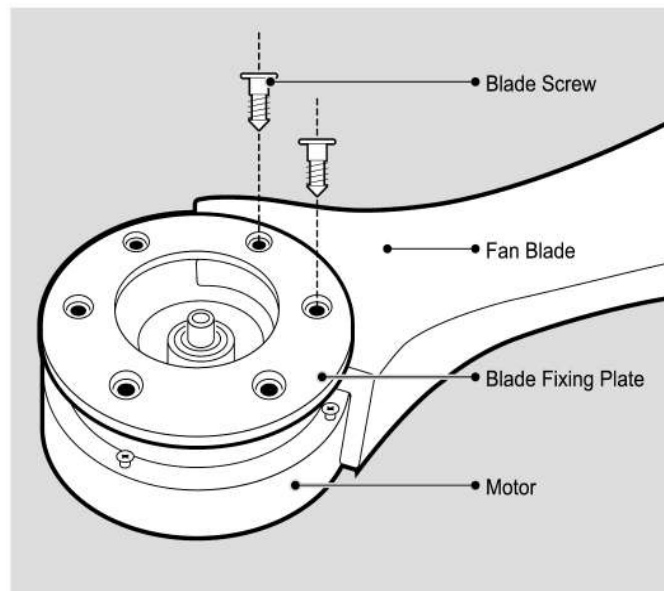
1. Drill holes with electric drill ( $\Phi 8\text{mm}$ ).
2. Use expansion screws to fix the mounting bracket to the ceiling.



Fasten the mounting bracket to the ceiling with self-tapping screws.



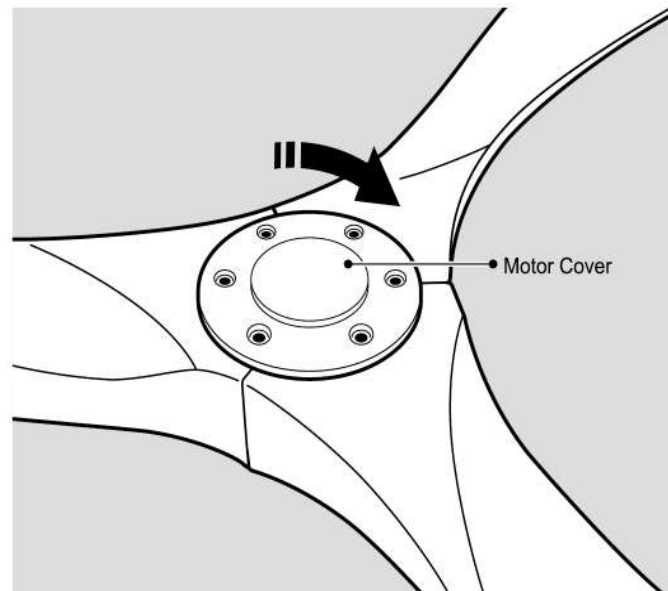
## Step 2: Fan Blade Installation



Fix the fan blades to the motor with the blade fixing plate and blade screws.

### Note:

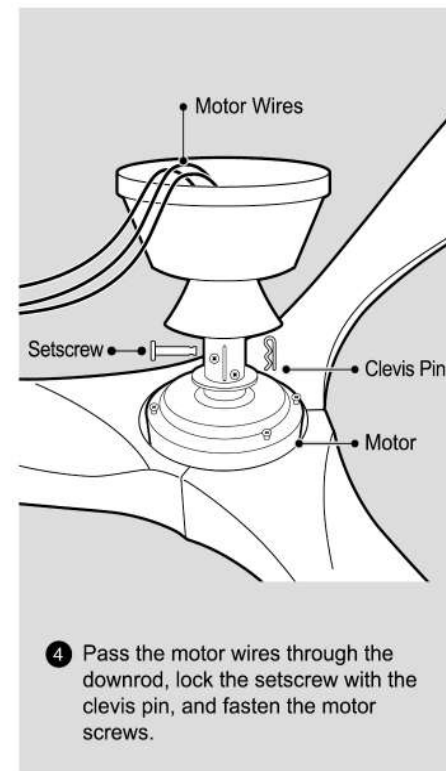
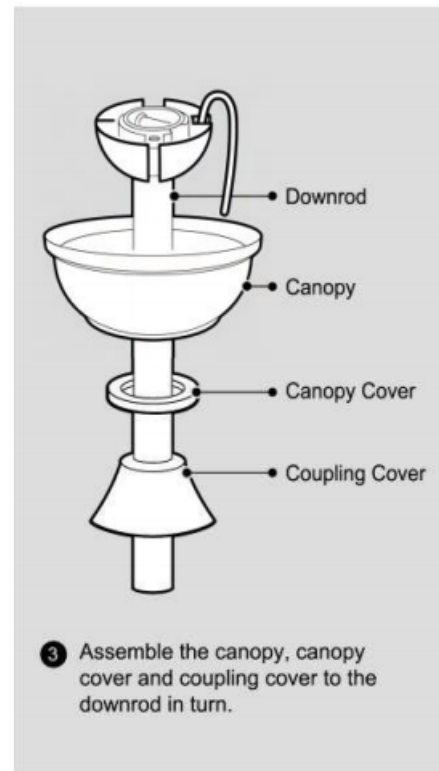
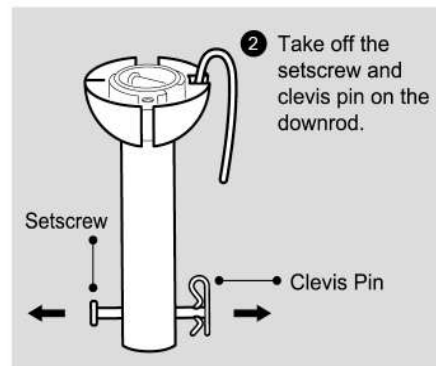
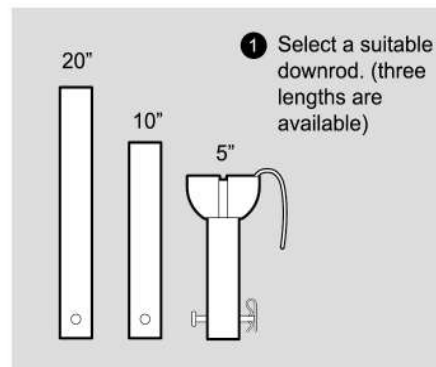
- The number labels (1, 2, 3) on the motor and the blades need to correspond one by one.
- Do not lock the screws when installing the blades and then tighten all the screws after all the fan blades are installed.



Cap the motor cover and tighten it clockwise.

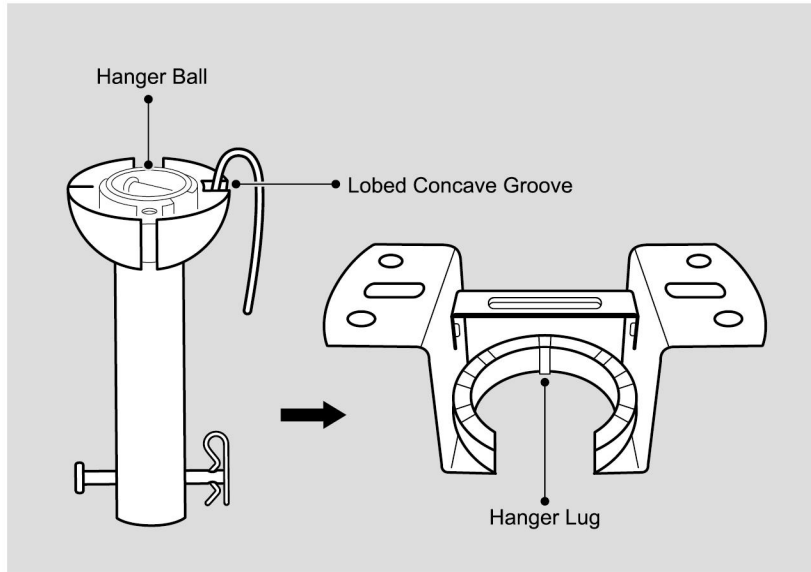


## Step 3: Downrod Installation

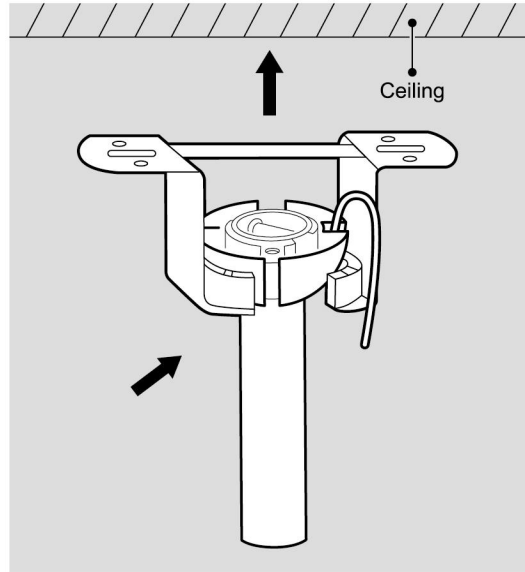




## Step 4: Installation of the Assembled Fan

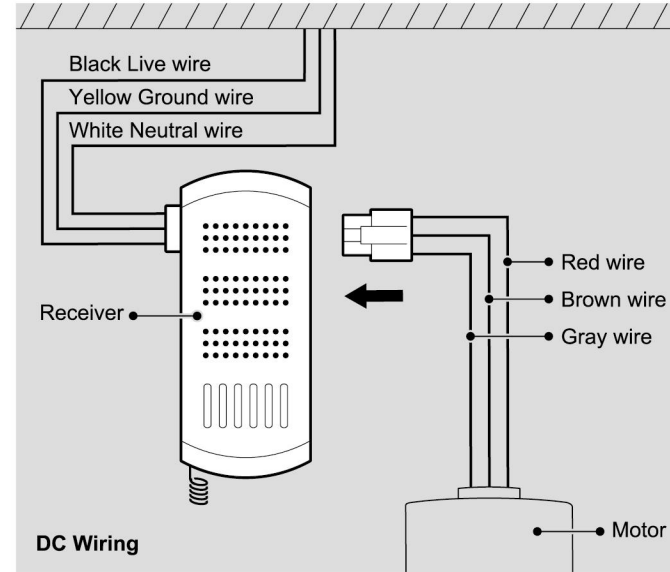


1. Lift the assembled fan onto the mounting bracket.
2. Ensure the concave groove of the hanger ball is positioned on the hanger lug of the mounting bracket.

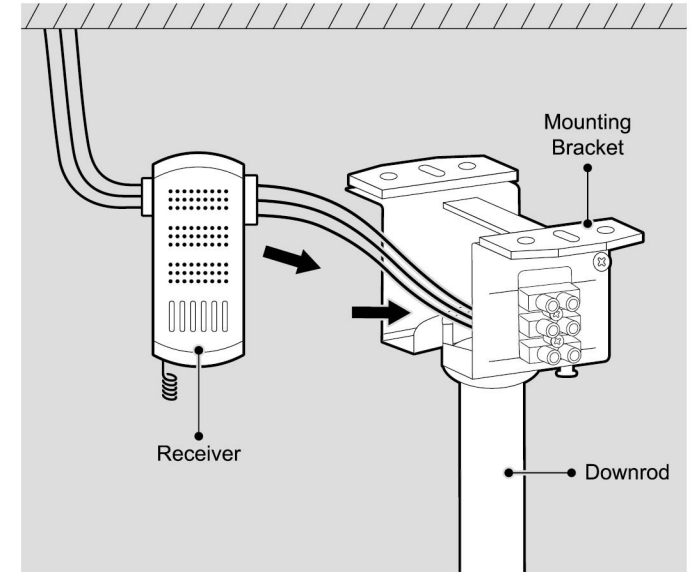


## Step 5: Wiring Instruction

**⚠** Shut off the power to the fuse box or circuit breaker before wiring.



- 1 The receiver is connected to the motor power cord and the ceiling power cord respectively.



- 2 Put the receiver into the mounting bracket.

**Note:** Connect the wires color to color, plug to plug.



Live Wire



Neutral Wire



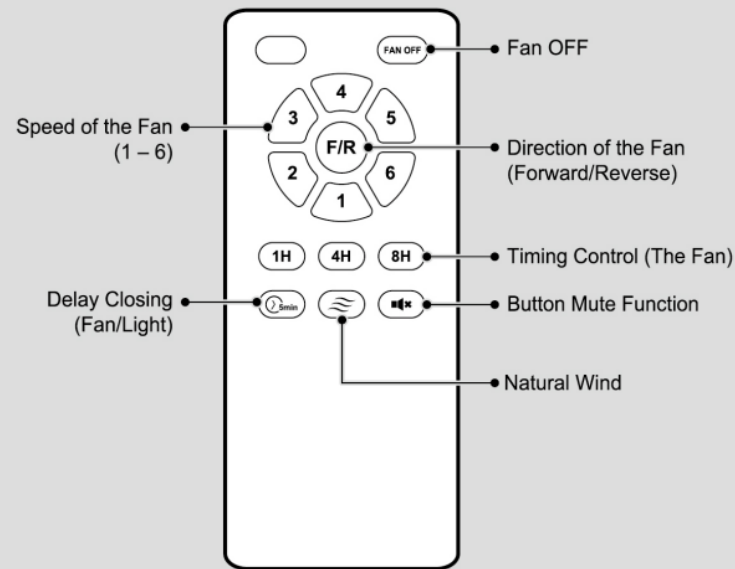
Ground Wire



# OPERATION INSTRUCTION

## Control Method

### Remote Control



### Code Matching of Remote Controller:

1. Turn off the power for 5 seconds.
2. Turn on the power, and press + buttons immediately.
3. When hearing 2 sounds like "didi", you can free your hands.

### Memory Function:

Select the color temperature to be memorized, and turn off the light for more than 15s. The next time you turn on the light, it will be the color temperature the last time you turned it off.

### 5 Mins Delay Closing:

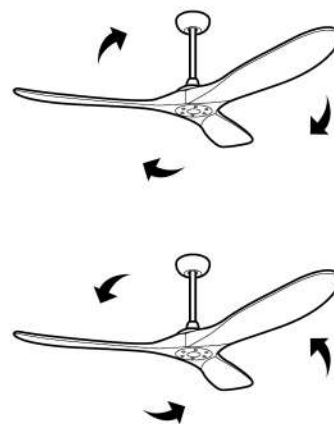
When pressing the delay button, the light and the fan will close after 5 mins. It can help you walk out of the dark environment. It is usually used for night.

### Button Mute Function:

Remove the beeping sound when clicking the button on the remote.

### Note:

Sensing Distance: 33 ft - 49 ft (10 m - 15 m)  
Direction of the fan / Reverse Switch



**Summer (Forward):**  
A downward airflow creates a cooling effect.

**Winter (Reverse):**  
An upward airflow increases the indoor temperature.

PS: If the rotation direction of the fan needs to be changed, it can only be switched when the fan is running.

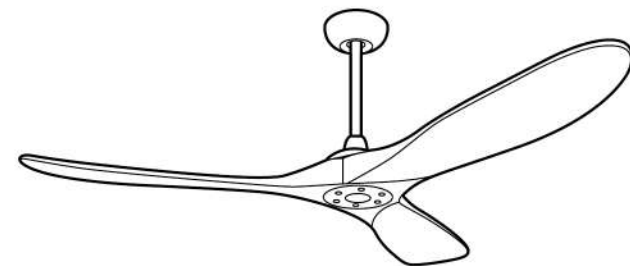
### Timing Control

- 2H: The fan will automatically shut off after two hours.
- 4H: The fan will automatically shut off after four hours.
- 6H: The fan will automatically shut off after six hours.

Close the Timing Control: press the button "FAN ON/OFF"



# SPECIFICATIONS



Assembled Diameter	60"
Motor Power	35 W
Rated Voltage	100 - 260 V
Number of Blades	3
Function	6 Level Fan Speeds, Timing Control, Reverse
Control Method	Remote Control + Wireless Switch
Applicable Area	269 - 377 sq.ft (25 - 35 m <sup>2</sup> )



## TROUBLESHOOTING

If there is a problem with the fan during use, please check the following tips for solutions. If the problem still cannot be solved, please contact our after-sales team.

### **The Fan Does Not Respond to the Remote Control.**

- Check that all wire connections are correct and secure.
- Verify that the power is turned on and reaching the receiver.
- Verify that the batteries of the remote control are installed with the correct polarity, making sure to install the + (positive) end of the batteries on the solid end and the - (negative) end on the spring.

### **The Fan Makes a Humming Noise.**

- Make sure the controls you use are supplied with your fan.
- Make sure all accessories are securely fastened. Loose parts often cause a vibrating noise or buzzing sound.
- Disassemble the fan and reinstalling it can sometimes remedy this resonant vibrating noise.

### **The Fan Makes a Repetitive Ticking Noise.**

- Check for obstructions in the rotor path.
- Make sure mounting hardware at the ceiling is firmly fastened.
- Make sure all other hardware and blade attachments are tight.
- Give the fan a "Break in Period" of a few hours to a few days, then repeat the steps above.

### **The Fan Wobbles.**

- Make sure the mounting plate and hardware at the ceiling are firmly fastened.
- Make sure all screw fittings on the fan are tight.
- If necessary, use the self-tapping screws provided to further secure the bracket to the joist.

