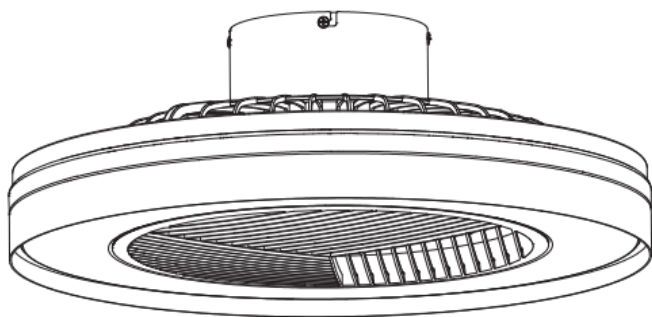


SMARTER. BRIGHTER.EASIER

# CEILING FAN LIGHT

## OWNER'S MANUAL



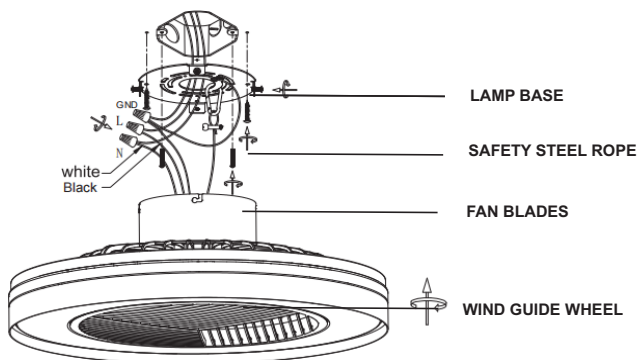
**PLEASE  
READ THIS OWNER'S MANUAL THOROUGHLY  
BEFORE OPERATING AND KEEP IT HANDY  
FOR REFERENCE AT ALL TIMES.**

# CONTENT

INTRODUCTION .....	1
INSTALLATION .....	2
REMOTE CONTROLLER SETTING .....	4
CELLPHONE APP SETTING .....	5
CLEANING AND MAINTENANCE .....	6
TECHNICAL SPECIFICATIONS .....	7
PRODUCT FEATURES .....	7
SAFETY PRECAUTIONS .....	8
TROUBLESHOOTING .....	9
TECHNICAL SUPPORT .....	9

# INTRODUCTION

**THIS HUMHOLD CEILING FAN LIGHT IS MANUFACTURED WITH GREAT CARE, AND UTILIZES THE LATEST IN TECHNOLOGY. WE ARE CONFIDENT THAT YOU WILL BE FULLY SATISFIED WITH IT'S PERFORMANCE AND RELIABILITY. IT PROVIDES EXACT INSTRUCTIONS FOR INSTALLATION, OPERATION AND MAINTENANCE, AND ALSO SUPPLIES SOME USEFUL HINTS.**



REMOTE X1

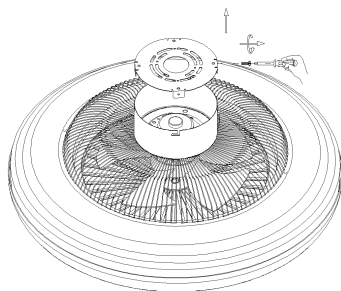


SCREW ACCESSORY SET

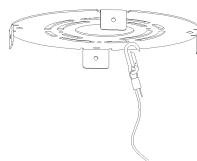
Note: The illustrations of the product, accessories in this manual are schematic diagrams for reference only. Due to the update and upgrade of the product, the physical product may be slightly different from the schematic diagram. Please take the physical product as the standard.

# INSTALLATION

1. Open the package, take out the fan lamp, press down the base, and rotate to remove the base;

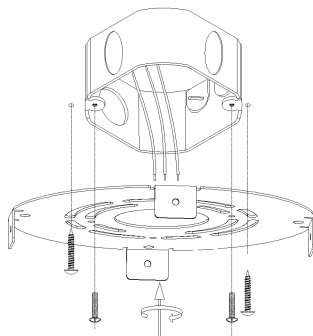


2. Take off the safety steel rope.

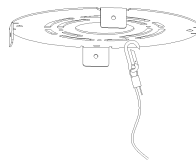


3. Base installation

Fix the lamp base on the ceiling mounting base with screws, and confirm that the base is firmly installed. (If there's no mounting base on the ceiling, use an electric drill to drill installation holes on the ceiling, put the expansion pipe into the installation hole)

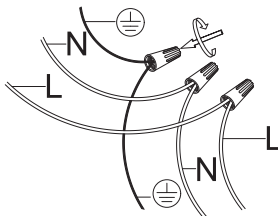


4. Buckle up the safety steel rope

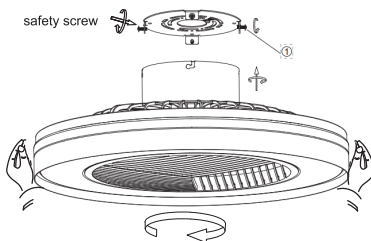


5. Wiring

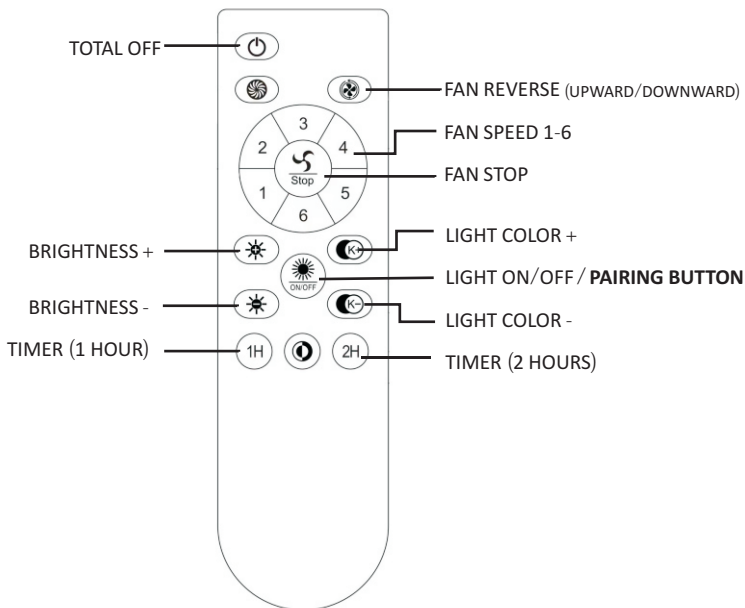
Use wiring caps to connect the L/N/Ground wires. (Make sure the power is OFF before wiring)



6. Hold the edges of both sides of the lamp body with both hands, align with the base, gently push both sides upward and rotate clockwise at the same time. After hearing the "click", then install the safety screw on the side of the lamp body, and make sure the lamp body cannot rotate after installation. The installation is completed.



## REMOTE CONTROL SETTING



⌘ Normally the remote is preset, there's no need to do pairing process.

⌘ In case of remote's code lost, please follow the steps below to re-match the code:

Switch on the power, within 5 seconds, press the pairing button for about 2 seconds, then you will hear a "beep" sound, and the light flicks, which indicate the pairing success.

NOTE: The upgraded functions shall prevail if the product upgrades.

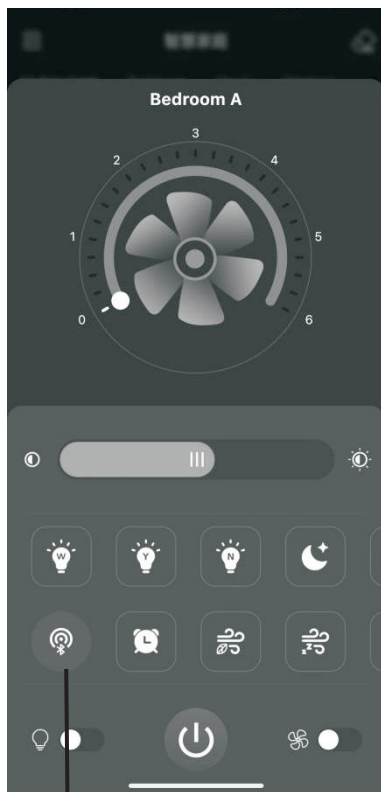
## CELLPHONE APP SETTING



Please download the cellphone APP by scanning the QR code above.

### App Pairing:

Switch on the power, within 5 seconds, press the pairing button, then you will hear a "beep" sound, and the light flickers, which indicate the pairing success.

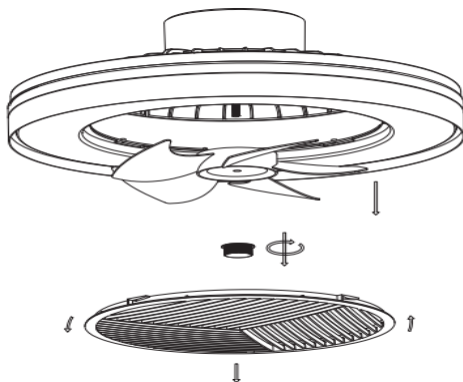


**Pairing Button**

NOTE: If the APP upgrades, please refer to the new version, and the function page might be different as well.

## CLEANING AND MAINTENANCE

1. Remove the safety screw on the side of the lamp body, hold the fan lamp with both hands, push it upward and rotate it counterclockwise to remove the fan lamp body.
2. Remove the wiring caps, disconnect the wires, and remove the safety steel rope.
3. According to the opening sign of the protective net and fan blade, it can be cleaned after opening and taking out.



Note: Do not flush the lamp body with water directly. After the fan lamp is cleaned, please dry it first. To avoid the risk of falling, please confirm the parts are installed correctly.

### WARNING

Always switch off the power prior to cleaning in the vicinity of electrical parts (lamps, fan blades etc.). Wipe up excess moisture with a sponge or cloth to prevent water or liquid from getting into any electrical part and causing a electric shock. Do not use flammable or toxic cleaning liquids.



## TECHNICAL SPECIFICATIONS

Product: Modern ceiling fan light

Model: HDFSD-F03

Input: 110V-240V 50/60Hz

Fan wattage: 15W

Light wattage: 24(2900k)-48W(6500K) (9 6 x 1W/LED module)

Total Wattage:60W

Light color Range: 2900K-6500K

Supportive system: Android 4.4 or iOS 9.0 and newer versions.

Wireless connection: Wi-Fi IEEE 802.11b/g/n 2.4GHz, Bluetooth

4.2

## PRODUCT FEATURES



COLOR ADJUSTMENT



BRIGHTNESS ADJUSTMENT



NIGHT MODE



CELLPHONE  
APP CONTROL



TIMING FUNCTION



FAN SPEED SETTING



REVERSIBLE



EASY INSTALL

## SAFETY PRECAUTIONS

1. Please confirm whether the voltage meets the working voltage of the product before use. Using inappropriate voltage may damage the product and cause potential safety hazards;
2. The light source of this lamp is a non user replacement light source, and the light source in this lamp shall be replaced by the manufacturer or its service agent or a person with similar qualification;
3. During the operation of the fan, do not touch the fan blade to avoid danger;
4. The installation height of fan lamp shall be more than 2.3m above the ground;
5. The lamp can be controlled by the remote controller and mobile phone software. After the lamp is turned off by the remote controller or mobile phone software, it does not mean that the power supply is actually cut off. In this case, it is forbidden to touch, replace or disassemble the lamp, otherwise it may cause electric shock and even casualties.



Before installation, be sure to cut off the power supply to prevent electric shock. During installation, the operation shall be carried out in strict accordance with the instructions. If the installation is improper, it is easy to cause accidents such as fire, electric shock or lamp body falling.



Please entrust electrical professionals to install or repair. The wiring shall comply with electrical standards or national standards to avoid danger.

## TROUBLESHOOTING

**IF YOU FEEL YOUR CEILING FAN LIGHT IS NOT OPERATING PROPERLY, CHECK THESE POSSIBLE CAUSES:**

<b>PROBLEM</b>	<b>POSSIBLE CAUSES</b>
CEILING FAN DOES NOT OPERATE	<ul style="list-style-type: none"><li>⌘ Has a house fuse blown or circuit breaker tripped?</li><li>⌘ Check whether the power switch out of order.</li></ul>
LIGHT IS ON, BUT THE REMOTE DOESN'T WORK	<ul style="list-style-type: none"><li>⌘ The remote's batteries are weak, change the batteries of the remote controller.</li><li>⌘ The remote lost the pairing code. Please re-pair the remote with the unit according to the instruction of pairing steps .</li></ul>
LIGHT WABBLES WHEN THE FAN IS ON	<ul style="list-style-type: none"><li>⌘ Has the light base/crosshanger been loosened from the ceiling?</li><li>⌘ The fan blade is uneven, tighten the blade to the motor.</li></ul>
CANNOT CONNECT THE APP	<ul style="list-style-type: none"><li>⌘ Is the App the newest version?</li><li>⌘ Has the Bluetooth function been turned on?</li></ul>
FAIL TO CONTROL THE LIGHT	<ul style="list-style-type: none"><li>⌘ Please check whether the remote out of order.</li></ul>

## TECHNICAL SUPPORT

For technical support issues please visit Amazon order page, our online technical support team members will answer your questions.

## **CONTACT INFORMATION**

We want to hear your voice! Feel free to touch base if you encounter any issue when using our product(s) or want to know more about our brand. We will be more than happy to provide top-notch pre-sales & after-sales service 24/7

Email: [support@humhold.com](mailto:support@humhold.com)